



AVAILABLE FOR:
 CLUB CAR® DS® & PRECEDENT®
 E-Z-GO® TXT® & RXV® / YAMAHA® DRIVE®

GUARDIAN SEAT INSTALLATION

TABLE OF CONTENTS:

- Section 1** - Prepare Car for Installation
- Section 2** - Seat Back Support Installation
- Section 3** - Footrest Supports and Bumper Angle Installation
- Section 4** - Rear Seat Mounting
- Section 5** - Footrest Installation
- Section 6** - Cushion Installation

IMPORTANT: Do not fully tighten hardware until instructed.
 Read through all instructions before beginning installation.

OPTIONAL GUARDIAN ACCESSORIES

Sold Separately



Chair Holder



Cup Holders



Drop-in Cargo Bed



Easy Access Step



Golf Bag Holder



Soft Cargo Carrier

SECTION 1

PREPARE CAR FOR INSTALLATION

1:1 CAR PREPARATION

Remove the following items to prepare the car for Rear Seat Kit Installation:

- Top
- Top Supports/Drain Tubes
- Bench Back Cushion
- Bag Rack Assembly

NOTE: Save and separate factory hardware for later use.

SCALE HARDWARE GUIDE

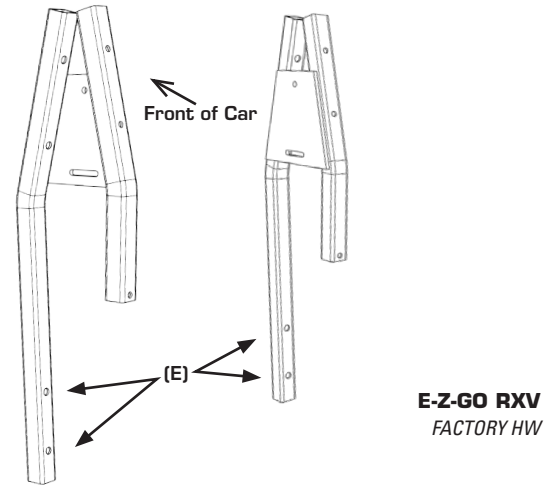
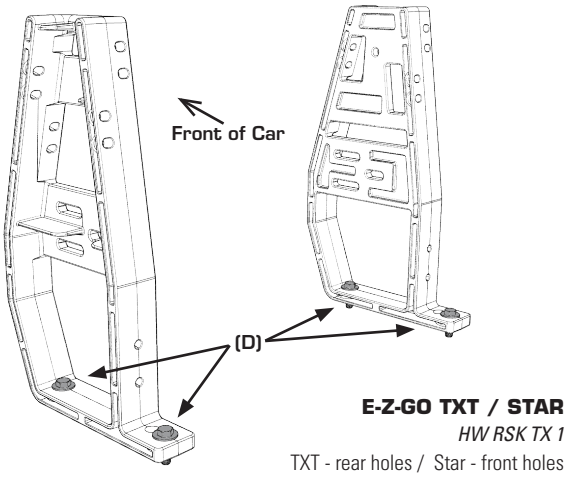
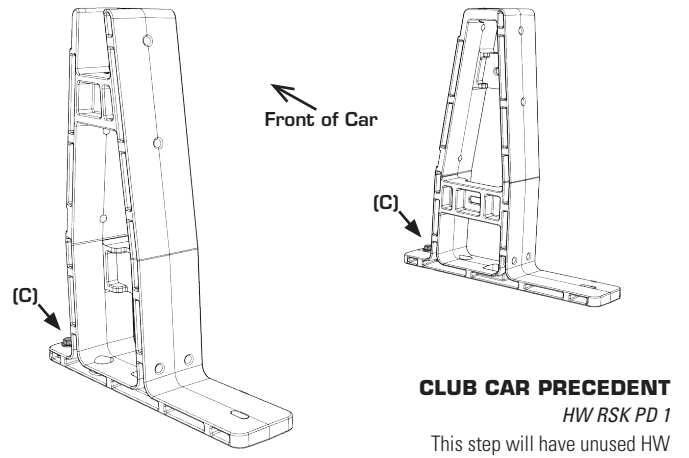
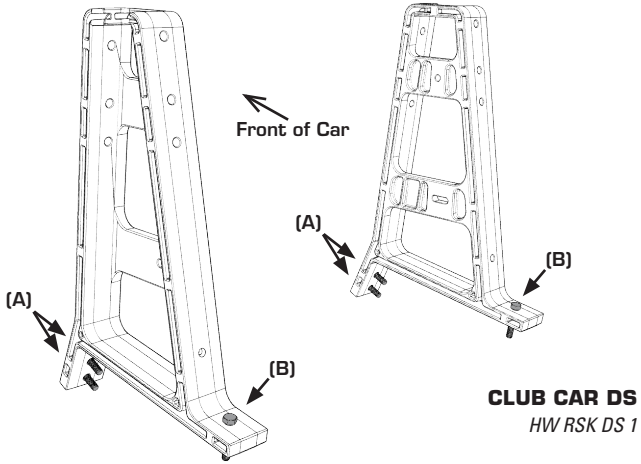
Supplied hardware has been illustrated at a 1:1 scale for the ability to verify required lengths quickly and easily. Simply place the hardware on top of the illustration to ensure you are using the correct item and measurement.

SECTION 2

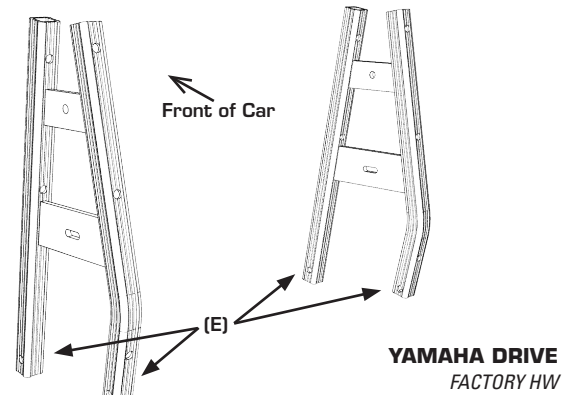
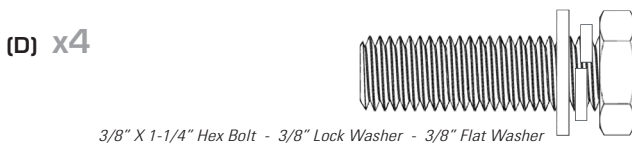
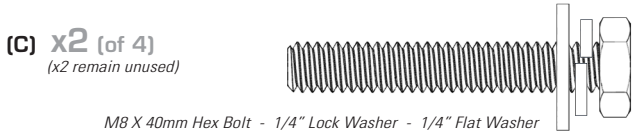
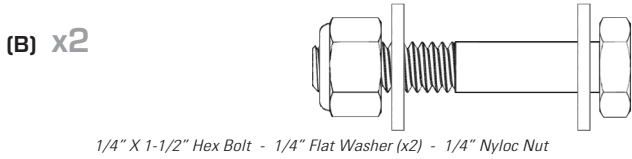
SEAT BACK SUPPORT INSTALLATION

2:1 POSITION AND INSTALL SEAT BACK SUPPORTS

NOTE: Fully tighten Bolts.



HARDWARE - SCALE 1:1



FACTORY HARDWARE



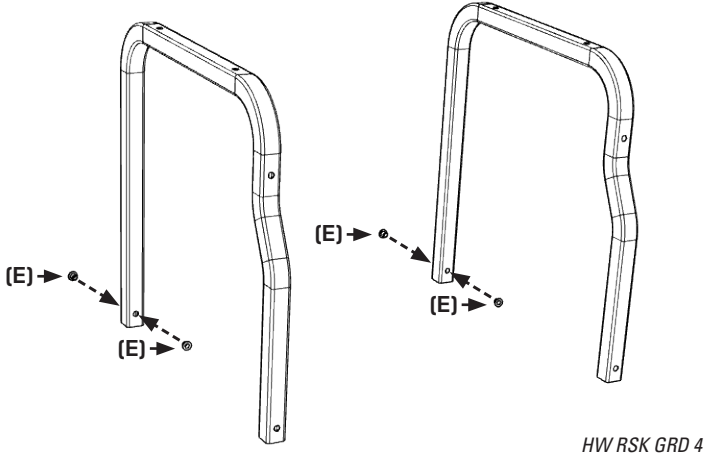
SECTION 3

FOOTREST SUPPORTS AND BUMPER ANGLE INSTALLATION

3:1 POSITION SEAT BASE & INSTALL SPACERS

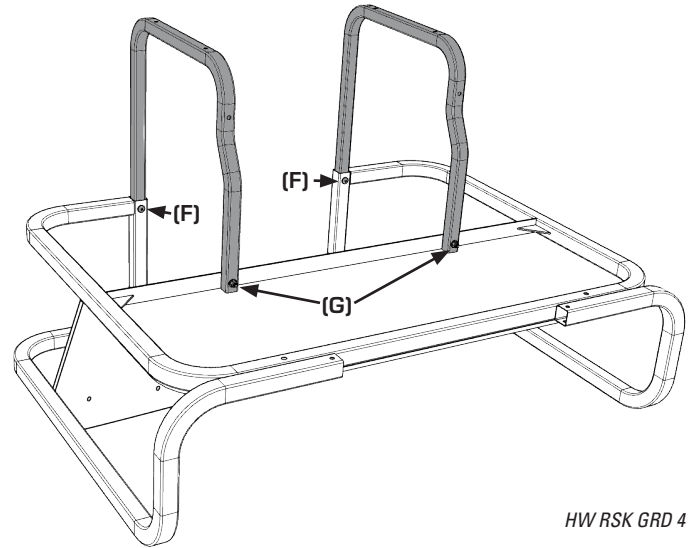
Remove Rear Seat Base from box and place bottom side up for assembly. 

NOTE: Place Seat on Cardboard or Blanket to prevent from scratching.



3:2 INSTALL FOOTREST SUPPORTS

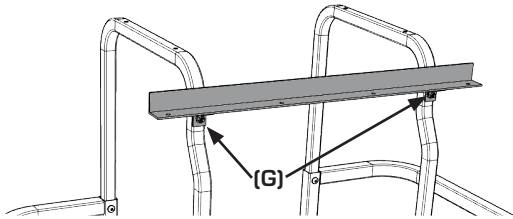
NOTE: Fully tighten Hardware.



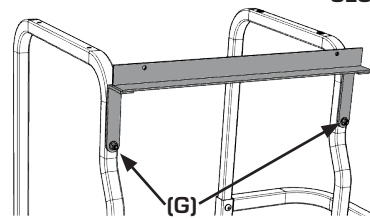
3:3 INSTALL BUMPER ANGLE

NOTE: Fully tighten Hardware.

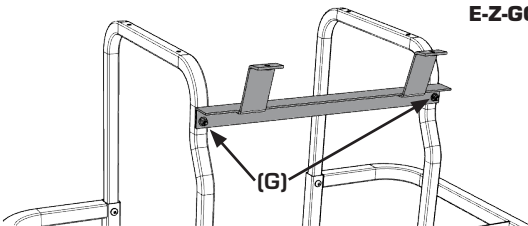
CLUB CAR DS
HW RSK GRD 4



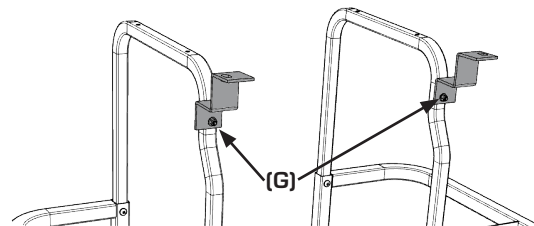
CLUB CAR PRECEDENT
HW RSK GRD 4



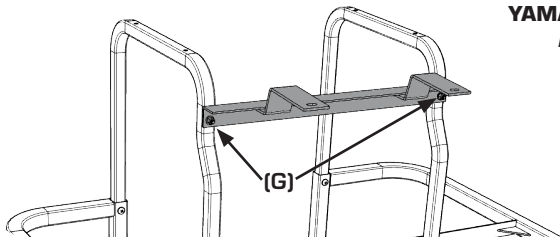
E-Z-GO TXT / STAR
HW RSK GRD 4



E-Z-GO RXV
HW RSK GRD 4

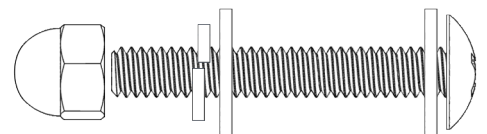


YAMAHA DRIVE
HW RSK GRD 4



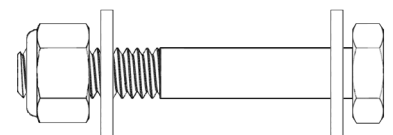
HARDWARE - SCALE 1:1

(F) x2



1/4" X 1-3/4" Truss Bolt - 1/4" Flat Washer (x2) - 1/4" Lock Washer - 1/4" Acorn Nut

(G) x2

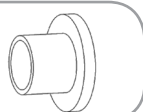


1/4" X 1-3/4" Hex Bolt - 1/4" Flat Washer (x2) - 1/4" Nyloc Nut

FACTORY HARDWARE

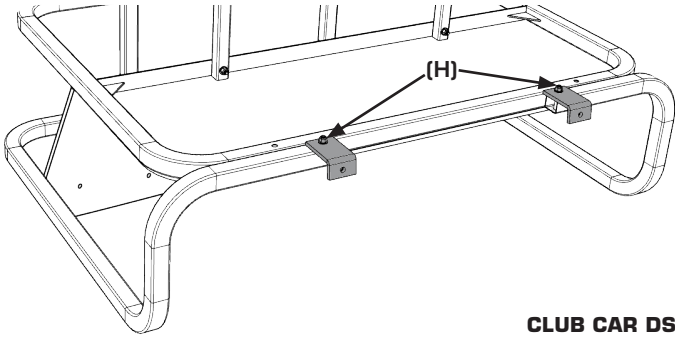
(E) x4

1/4" Plastic Insert

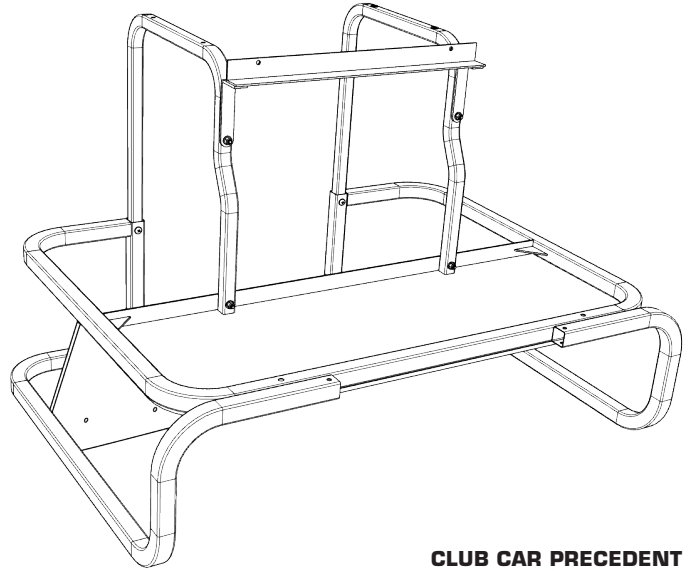


3:4 INSTALL REAR SEAT KIT BRACKETS

NOTE: Do not fully tighten Bolts until mounted to Seat Back Supports.

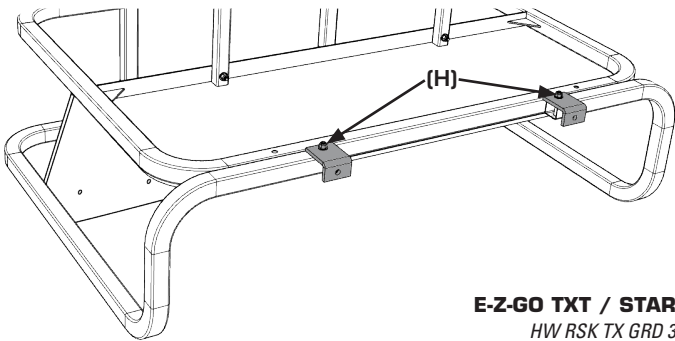


CLUB CAR DS
HW RSK DS GRD 3

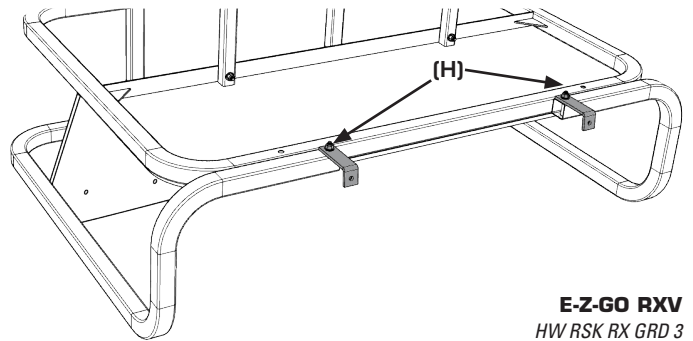


CLUB CAR PRECEDENT

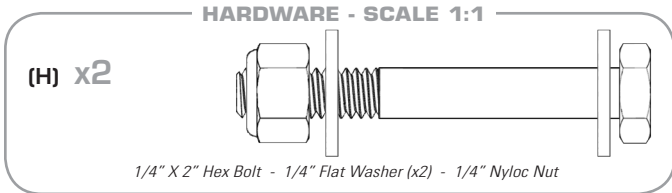
No brackets needed - Proceed to step 4:1



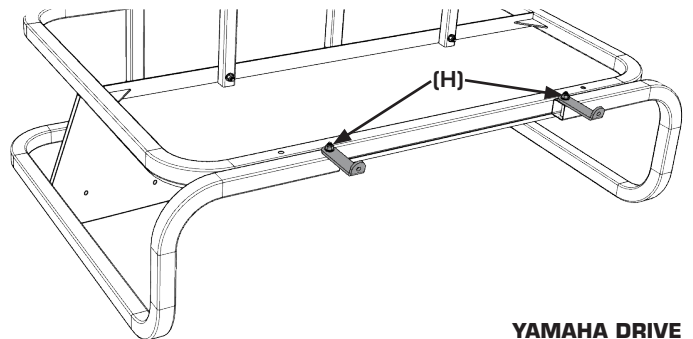
E-Z-GO TXT / STAR
HW RSK TX GRD 3



E-Z-GO RXV
HW RSK RX GRD 3



1/4" X 2" Hex Bolt - 1/4" Flat Washer (x2) - 1/4" Nyloc Nut



YAMAHA DRIVE
HW RSK DV GRD 3
HW RSK D17 GRD 3

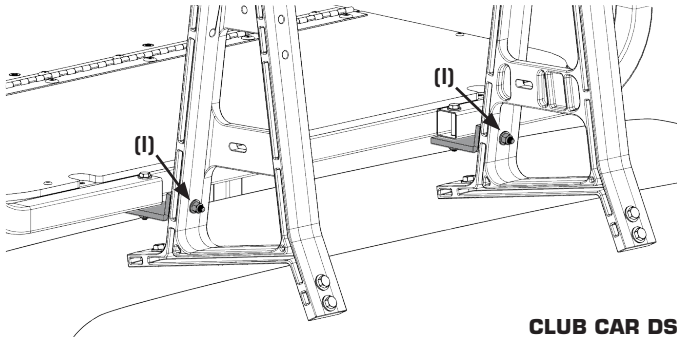
SECTION 4

REAR SEAT MOUNTING

4.1 ATTACH REAR SEAT KIT TO SEAT BACK SUPPORTS

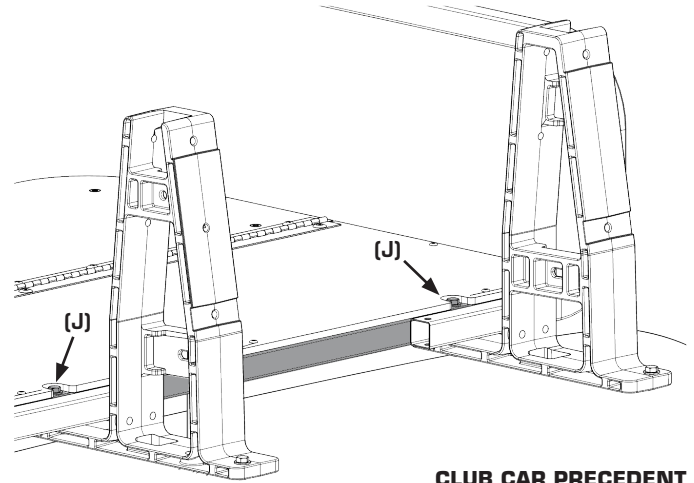
Flip Rear Seat Base over and attach to Seat Back Supports.

NOTE: Do not fully tighten until Bumper Angle is attached in next step.

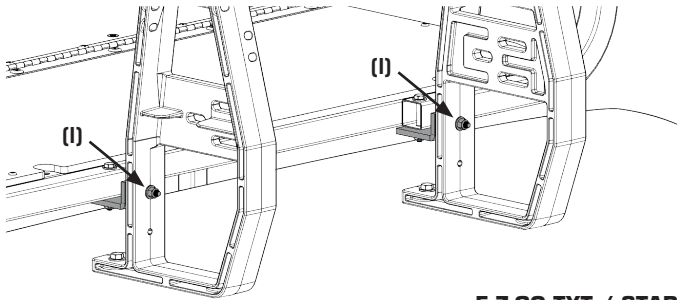


CLUB CAR DS
HW RSK DS GRD 3

Remove bumper before attaching to Seat Back Supports

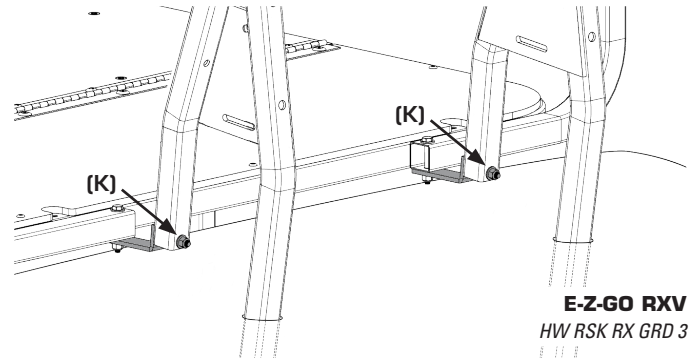


CLUB CAR PRECEDENT
HW RSK PD GRD 3

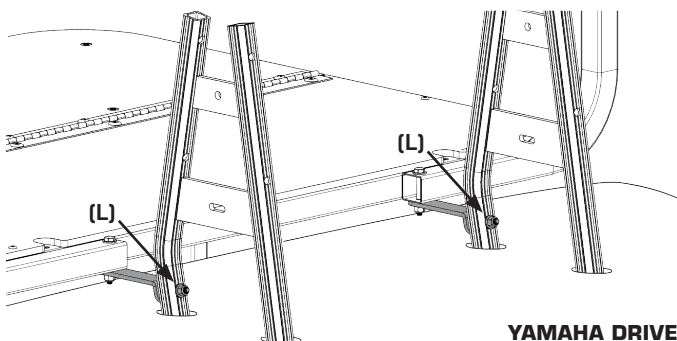


E-Z-GO TXT / STAR
HW RSK TX GRD 3

TXT - top holes / Star - bottom holes



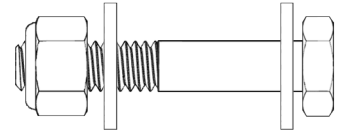
E-Z-GO RXV
HW RSK RX GRD 3



YAMAHA DRIVE
HW RSK DV GRD 3
HW RSK D17 GRD 3

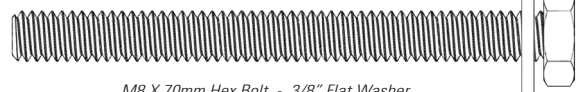
HARDWARE - SCALE 1:1

(I) x2



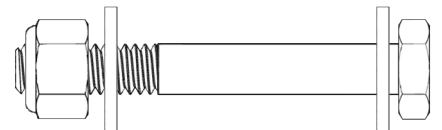
1/4" X 1-1/2" Hex Bolt - 1/4" Flat Washer (x2) - 1/4" Nylock Nut

(J) x2



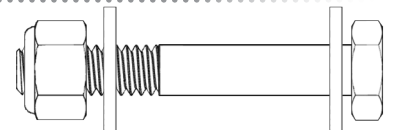
M8 X 70mm Hex Bolt - 3/8" Flat Washer

(K) x2



1/4" X 2" Hex Bolt - 1/4" Flat Washer (x2) - 1/4" Nylock Nut

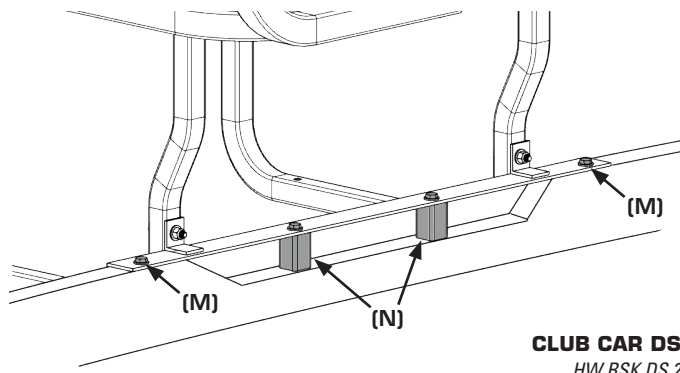
(L) x2



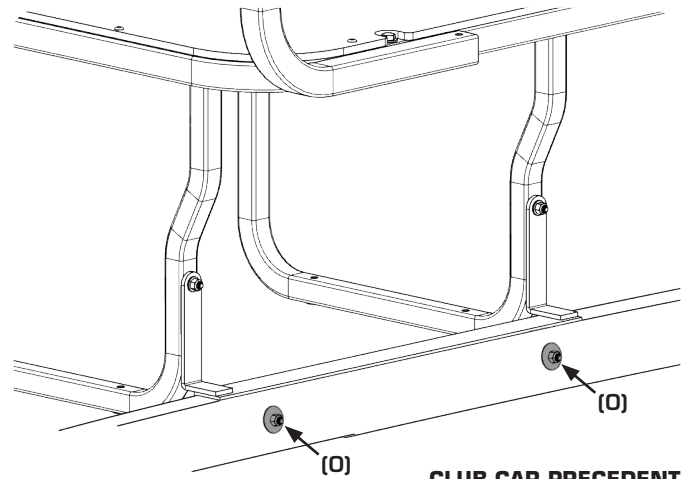
1/4" X 1-3/4" Hex Bolt - 1/4" Flat Washer (x2) - 1/4" Nylock Nut

4:2 MOUNT BUMPER ANGLE TO CAR

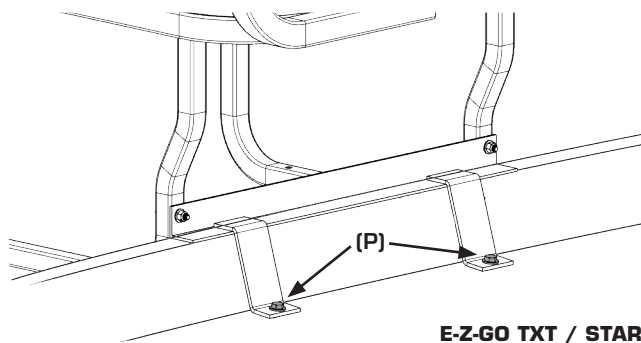
NOTE: Fully tighten Rear Seat Kit Brackets and Bumper Angle Hardware.



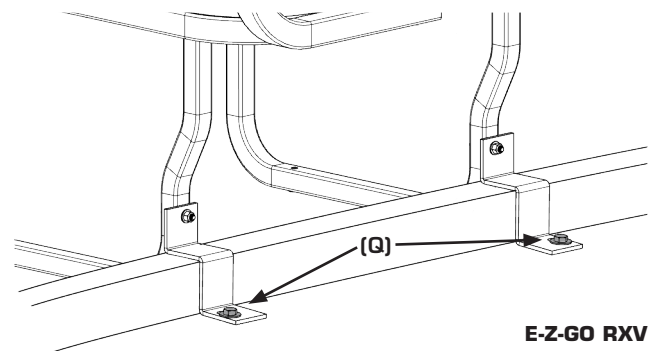
CLUB CAR DS
HW RSK DS 2



CLUB CAR PRECEDENT
HW RSK PD 2
Chase drill holes through car bumper



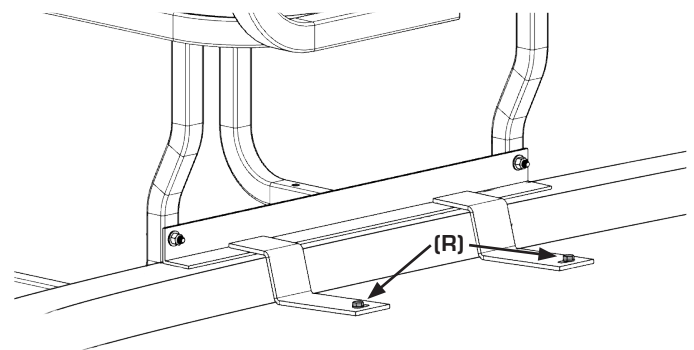
E-Z-GO TXT / STAR
HW RSK TX 2
Chase drill holes using existing holes in bagwell



E-Z-GO RXV
HW RSK RX 2
Tabs will align with existing holes in bagwell

HARDWARE - SCALE 1:1

See Page 7



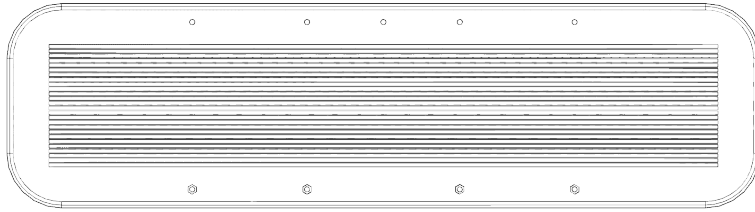
YAMAHA DRIVE
HW RSK DV 2
Tabs will align with existing holes in bagwell

SECTION 5

FOOTREST INSTALLATION

5:1 INSTALL FOOTREST

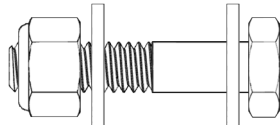
NOTE: Fully tighten Hardware.



Side with 4 holes faces rear of car

HARDWARE - SCALE 1:1

(M) x2



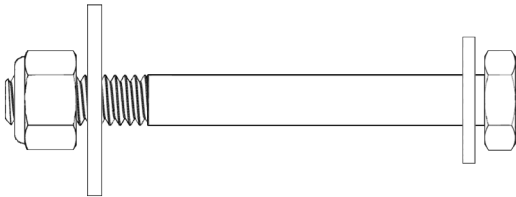
1/4" X 1-1/4" Hex Bolt - 1/4" Flat Washer (x2) - 1/4" Nylock Nut

(N) x2



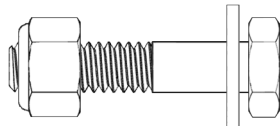
1/4" X 2-1/2" Hex Bolt - 1/4" Flat Washer (x2) - Spacer Square - 1/4" Nylock Nut

(O) x2



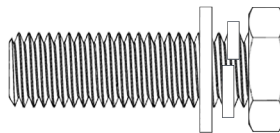
1/4" X 2-1/2" Hex Bolt - 1/4" Flat Washer - 1/4" Fender Washer - 1/4" Nylock Nut

(P) x2



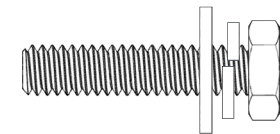
5/16" X 1-1/4" Hex Bolt - 5/16" Flat Washer - 5/16" Nylock Nut

(Q) x2

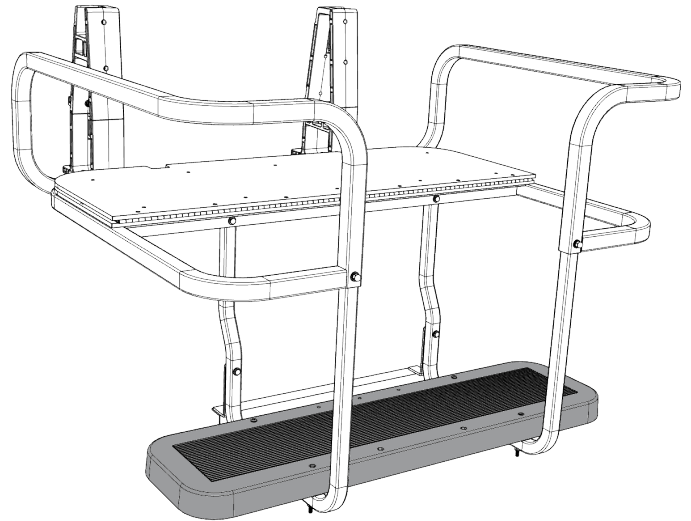


3/8" X 1-1/4" Hex Bolt - 3/8" Lock Washer - 3/8" Flat Washer

(R) x2



M6 x 30mm Hex Bolt - 1/4" Lock Washer - 1/4" Flat Washer

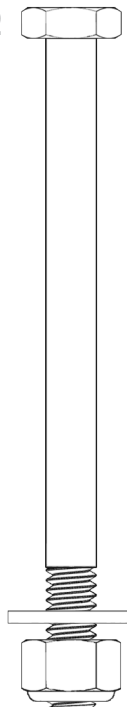


HW RSK GRD 4

Insert black fasteners in remaining open holes

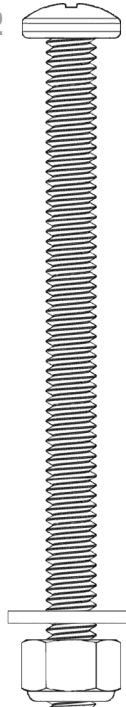
HARDWARE - SCALE 1:1

(S) x2



1/4" X 3-1/2" Hex Bolt
1/4" Flat Washer
1/4" Nylock Nut

(T) x2



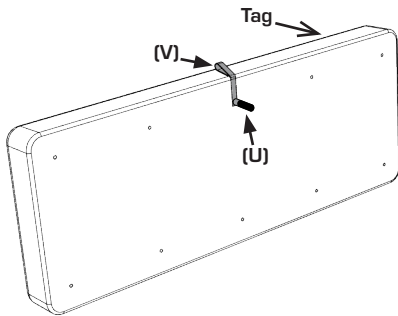
1/4" X 3-1/2" Pan Head Screw
1/4" Flat Washer
1/4" Nylock Nut

SECTION 6

CUSHION INSTALLATION

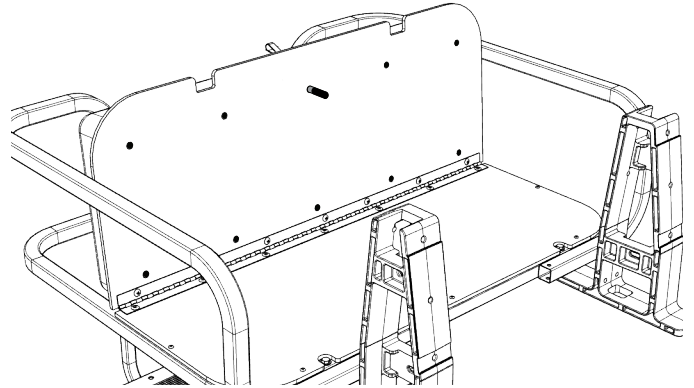
6:1 SEAT BOTTOM CUSHION INSTALLATION

Insert Temporary Stud (U) into the 2/1 Seat Bottom Cushion then slip the 2/1 Strap (V) over the Temporary Stud as shown below.



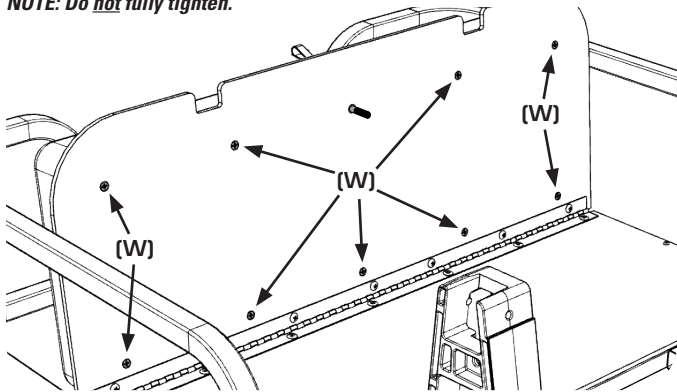
BOTTOM CUSHION
HW RSK CUSH

Angle Seat Bottom Plastic upright to 90° and insert 2/1 Seat Bottom Cushion in the top center hole using the Temporary Stud.



Loosely screw in all four corner holes first, then screw in the remaining vacant holes.

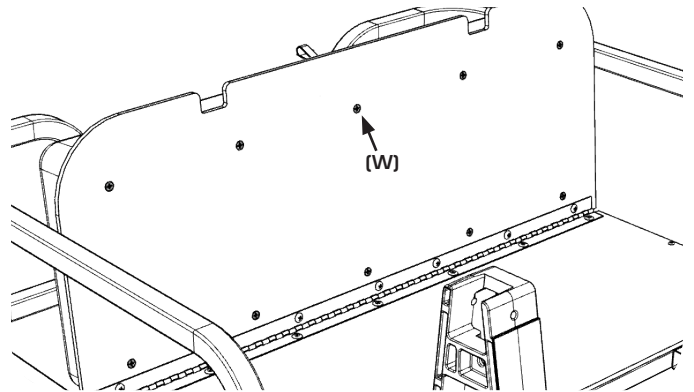
NOTE: Do not fully tighten.



HW RSK CUSH

Remove the Temporary Stud.

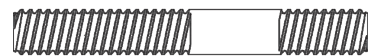
NOTE: Fully tighten Hardware.



HW RSK CUSH

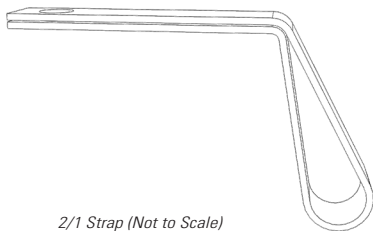
HARDWARE - SCALE 1:1

(U) x1



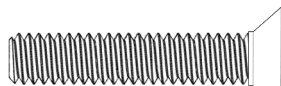
Temporary Stud

(V) x1



2/1 Strap (Not to Scale)

(W) x10



1/4" X 1-1/4" FHP Screw

6:2 SEAT BACK CUSHION INSTALLATION

Installation instructions are provided in the Seat Plate Kit Hardware Box, located in the 2/1 Cushion Box.

