

DELUXE STEP

OPTIONAL ACCESSORY (Sold Separately)

1:1 STEP ASSEMBLY

Assemble Footrest as shown.
Do not fully tighten hardware until the next step.

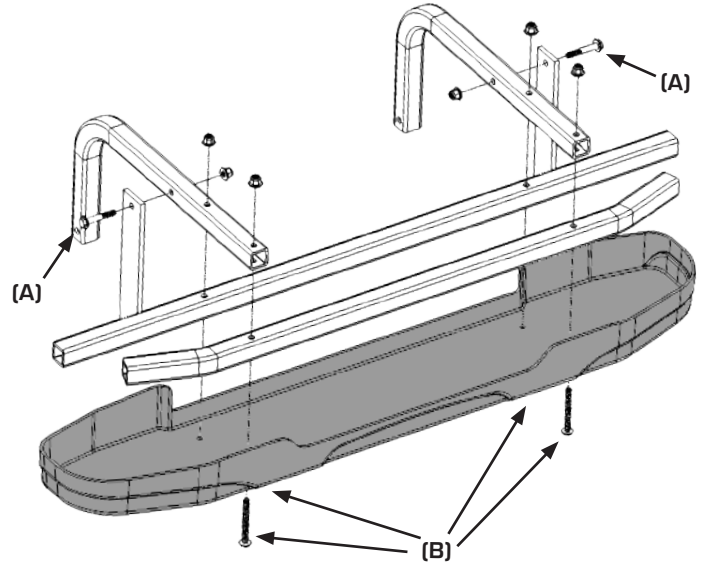
HARDWARE - SCALE 1:1

(A) x2

1/4" X 1-3/4" Hex Bolt - 1/4" Flat Washer (x2) - 1/4" Nyloc Nut

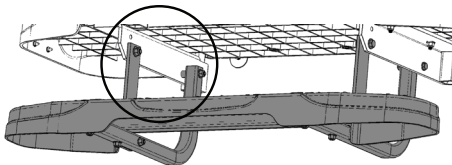
(B) x2

1/4" X 2-1/2" Pan Bolt - 1/4" Flat Washer (x2) - 1/4" Nyloc Nut

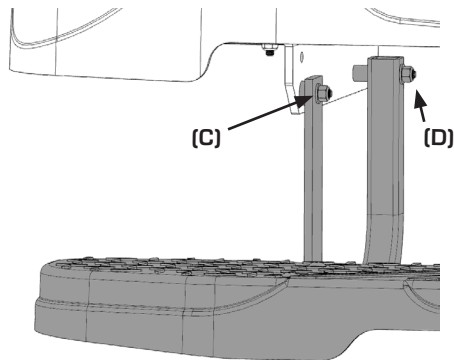


1:2 STEP INSTALLATION x2

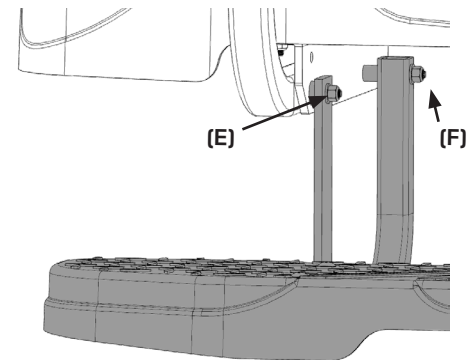
NOTE: Fully tighten ALL Hardware in the assembly.



MAX6 CRUZ



MAX6 HELIX



HARDWARE - SCALE 1:1

(C) x2

5/16" X 1-1/4" Hex Screw - 5/16" Flat Washer (x2) - 1/4" Spacer - 5/16" Nyloc Nut

(D) x2

1/4" X 2-1/4" Truss Screw - 1/4" Flat Washer (x2) - 1/2" Spacer - 1/4" Nyloc Nut

(E) x4

1/4" X 2-1/2" Truss Screw - 1/4" Flat Washer (x2) - 1/4" Spacer - 1/4" Nyloc Nut

(F) x4

1/4" X 3-1/2" Truss Screw - 1/4" Flat Washer (x2) - 1/2" Spacer - 1/4" Nyloc Nut