

CRUZ HEAVY-DUTY SAFETY BAR

OPTIONAL ACCESSORY (Sold Separately)

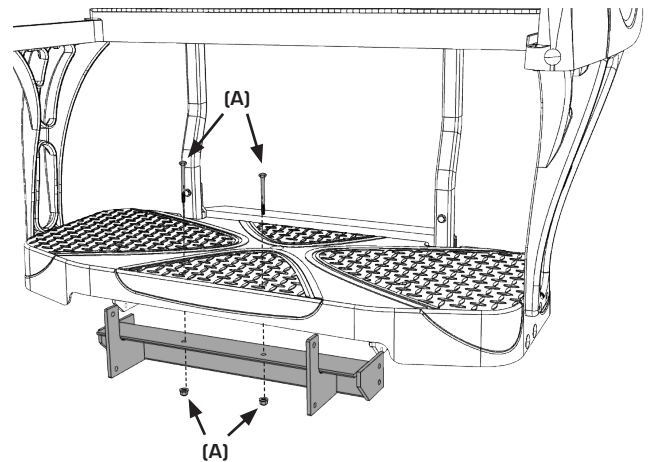


MAX 6 • CRUZ W/ HEAVY-DUTY SAFETY BAR

IMPORTANT: Do not fully tighten hardware until instructed.
Read through all instructions before beginning installation.

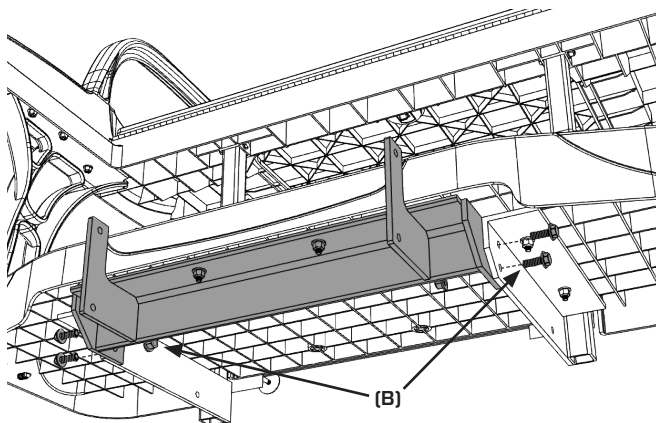
1 ATTACH SAFETY BAR BASE TO FOOTREST

NOTE: DO NOT fully tighten Hardware until next step.

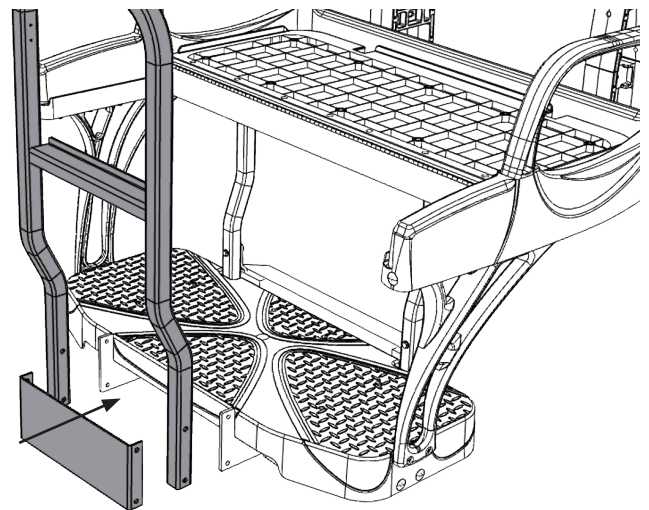


2 ATTACH SAFETY BAR BASE TO FOOTREST SUPPORTS

NOTE: Fully tighten ALL Hardware.

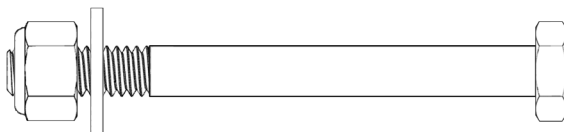


3 LINE UP THE SAFETY BAR AND FACEPLATE



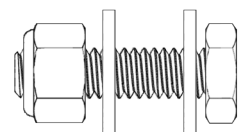
HARDWARE - SCALE 1:1

(A) x2



1/4" X 2-3/4" Hex Bolt - 1/4" Flat Washer - 1/4" Nylock Nut

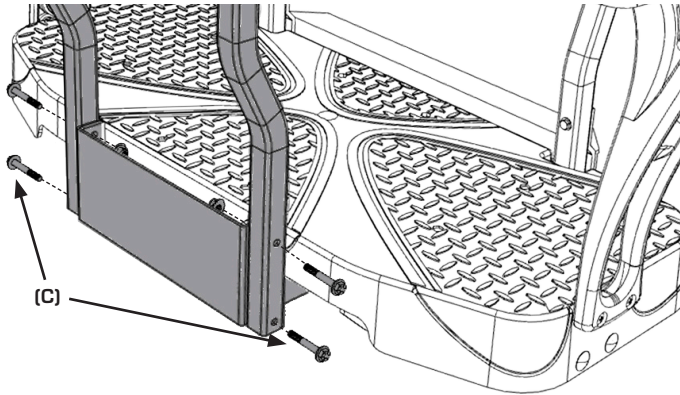
(B) x4



5/16" X 1" Hex Bolt - 5/16" Flat Washer (x2) - 5/16" Nylock Nut

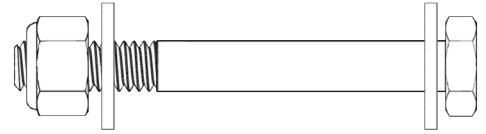
4 ATTACH SAFETY BAR AND FACEPLATE

NOTE: Fully tighten Hardware.



HARDWARE - SCALE 1:1

(C) x4



5/16" X 2-1/4" Hex Bolt - 5/16" Flat Washer (x2) - 5/16" Nylock Nut

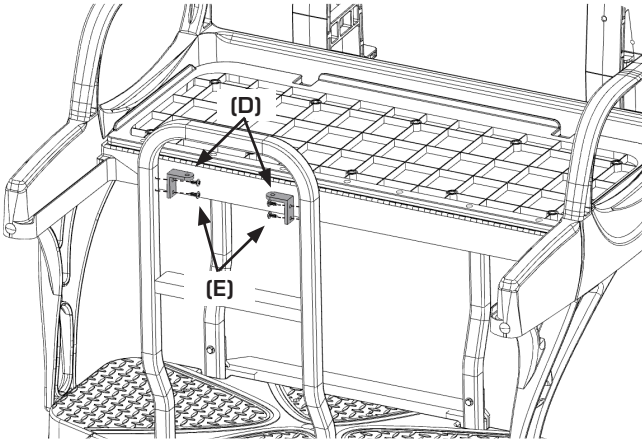


CUP HOLDERS

OPTIONAL ACCESSORY (Sold Separately)

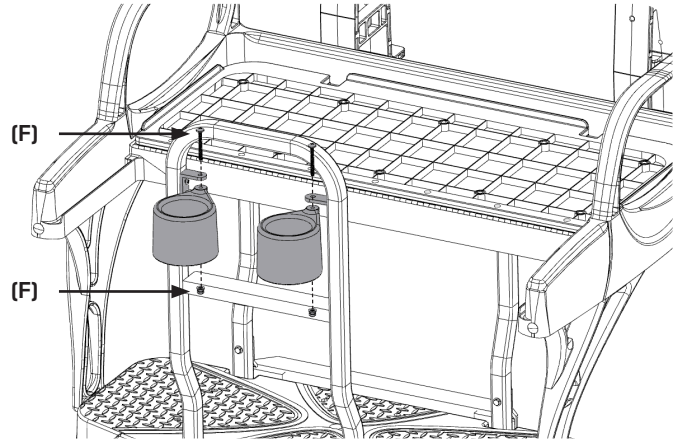
1 ATTACH CUP HOLDER BRACKETS x2

Remove the plastic plugs that cover the inside holes and attach brackets (D), using sheet metal screw (E).



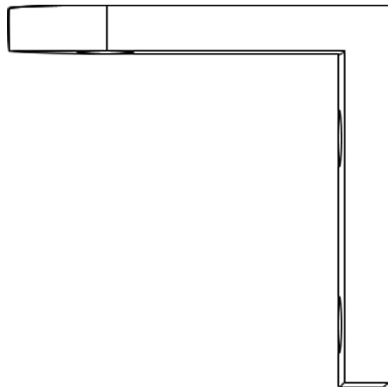
2 ATTACH CUP HOLDER x2

NOTE: Fully tighten Hardware.



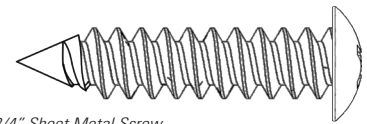
HARDWARE - SCALE 1:1

(D) x2



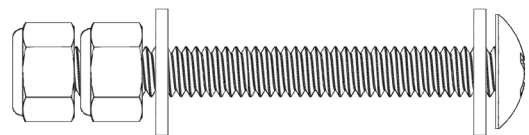
Cup Holder Bracket

(E) x4



#14 X 3/4" Sheet Metal Screw

(F) x2



1/4" X 2-1/2" Truss Phillips Screw - 1/4" Flat Washer (x2) - 1/4" Nylock Nut (x2)